

DIMENSIONS

Model OE Bulk Milk Coolers

Metric

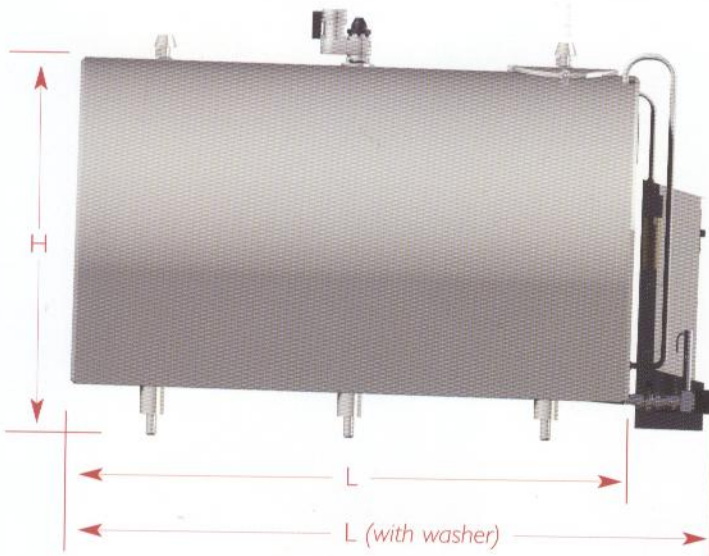
Litres	Length mm	Length mm (with washer)	Width mm	Height mm*
5230	2650	3000	1980	1763
5930	3000	3350	1980	1775
7550	3000	3350	2175	2000
8350	3000	3350	2260	2105
10250	3000	3350	2470	2305
12750	4500	4850	2260	2155
15690	4500	4850	2470	2355

*Add 300mm to height to allow for agitator motor

Imperial

Gallons	Length ins	Length ins (with washer)	Width ins	Height ins*
1150	104	118	78	69
1300	118	132	78	70
1660	118	132	86	79
1840	118	132	89	83
2250	118	132	97	91
2800	177	191	89	85
3450	177	191	97	93

*Add 12 ins to height to allow for agitator motor



*Left-hand mounted washer optional



Hebron Enterprise Park · Kilkenny · Ireland
 Tel: 056 772 2913 · Fax: 056 776 2772
 Email: info@kilkennycooling.com
 Web: www.kilkennycooling.com

Kilkenny Cooling Systems is committed to a policy of product and specification development, that may result in changes to the material and component data, published on their range of products.

Customers should therefore request an update on specification changes that may have occurred since publication of this material.