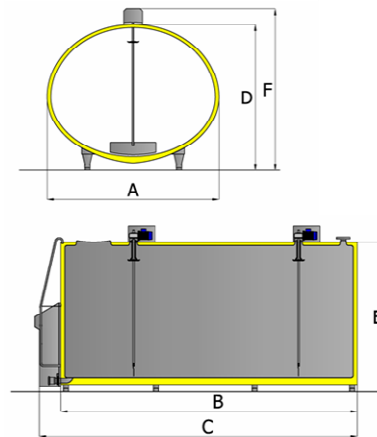


4.1 SWIFTCOOL DIMENSIONS

The overall dimensions of the SwiftCool milk tank are tabulated in Table 1, where the dimensions are denoted as follows:

Dimension	Description
A	Body Width
B	Body Length
C	Length including controls
D	Body Height
E	Height at rear, including 1/40 tilt
F	Height including agitator motors & air vent, including tilt



Nominal size	Nominal Capacity [Litres]	Nett Weight [kg]	A [m]	B [m]	C [m]	D [m]	E [m]	F [m]
22000X	22000	2154	2.63	6.00	6.40	2.24	2.39	2.63
20200X	20200	1998	2.63	5.50	5.90	2.24	2.38	2.61
18300X	18300	1837	2.63	5.00	5.40	2.24	2.37	2.60
16500X	16500	1682	2.63	4.50	4.90	2.24	2.35	2.59
14600X	14600	1526	2.63	4.00	4.40	2.24	2.34	2.58
12750X	12750	1365	2.63	3.50	3.90	2.24	2.33	2.56
10900X	10900	1194	2.63	3.00	3.40	2.24	2.32	2.55
9750X	9750	1100	2.63	2.70	3.10	2.24	2.31	2.54
30100Xs	30100	2615	3.00	6.00	6.40	2.61	2.76	3.00
27600Xs	27600	2425	3.00	5.50	5.90	2.61	2.75	2.98
25050Xs	25050	2231	3.00	5.00	5.40	2.61	2.74	2.97
22500Xs	22500	2041	3.00	4.50	4.90	2.61	2.72	2.96
20000Xs	20000	1807	3.00	4.00	4.40	2.61	2.71	2.95
17450Xs	17450	1618	3.00	3.50	3.90	2.61	2.70	2.93
14850Xs	14850	1452	3.00	3.00	3.40	2.61	2.69	2.92
17150Xn	17150	1945	2.375	6.00	6.40	1.99	2.14	2.37
15750Xn	15750	1804	2.375	5.50	5.90	1.99	2.12	2.36
14300Xn	14300	1658	2.375	5.00	5.40	1.99	2.11	2.35
12850Xn	12850	1517	2.375	4.50	4.90	1.99	2.10	2.33
11400Xn	11400	1376	2.375	4.00	4.40	1.99	2.09	2.32
9950Xn	9950	1229	2.375	3.50	3.90	1.99	2.07	2.31
8500Xn	8500	1073	2.375	3.00	3.40	1.99	2.06	2.30
7600Xn	7600	988	2.375	2.70	3.10	1.99	2.05	2.29
6600Xn	6600	890	2.375	2.35	2.75	1.99	2.04	2.28
5500Xn	5550	791	2.375	2.00	2.40	1.99	2.04	2.27

Table 1 SwiftCool Dimensions (maximum values)